



DESIGNED FOR SERIOUS STREAMERS

AGILE NL

CARDIOID STREAMING MICROPHONE



CARDIOID
MICROPHONE



USB
CONNECTION



GAIN
CONTROL



CONTROL
ADJUSTMENT



COMPLETE
KIT



REAL TIME
MONITORING

AVAILABLE COLORS

BLACK

WHITE



Online Gaming

**PERFECT
FOR USING
IN DIFFERENT
SCENES**



Podcasting
Streaming



Recording

CONDENSER MICROPHONE WITH GREAT SOUND QUALITY

Get the perfect sound for your game with this easy-to use microphone kit that has been designed by gamers just like you.



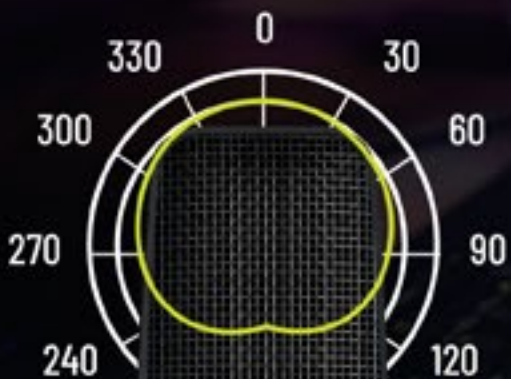
CARDIOID MICROPHONE WITH LOW BACKGROUND NOISE

This microphone only captures sound from the front, with little pick-up from the sides and none from the back, which effectively eliminates background noise in recording.

Wide frequency response of 80Hz to 20000kHz and optimal sound sensitivity.

Broadcast-grade detail and clarity.

CARDIOID PICKUP



EASY PLUG AND PLAY USB MICROPHONE KIT

USB Type-C. Plug and play.
No driver installation needed.

High-Power headphone output with crystal
clear, zero-latency sound.

It can be used on computers and laptops.
Compatible with Windows and IOS systems.



WORKS FOR LAPTOP, DESKTOP PC AND CELLPHONE

USB-A TO USB-C CABLE



DOUBLE AUDIO OUTPUT AND USB PORT



VOLUME, GAIN, AND MUTE CONTROLS

Microphone gain increases the amplitude of a microphone signal.

This USB condenser microphone provides multiple sampling rates up to 192kHz/24bit, wide frequency response of 80Hz to 20000Hz and optimal sound sensitivity for podcasting, streaming, recording or voice over.



MUTE BUTTON

It cuts off the microphone's feed.

GAIN CONTROL

Adjusts the level for the microphone input.

VOLUME CONTROL

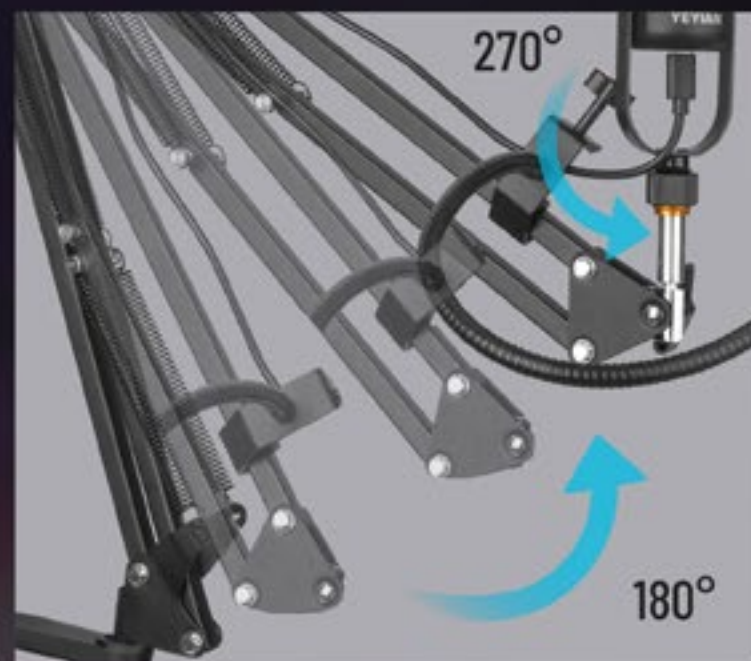
Microphone volume increases from left to right.



STRONG BOOM ARM AND DURABLE CLAMP

The scissor arm helps to adjust the mic to your preferred position for a clear sound. It can be adjusted to any angle and height according to your needs and get the best sound; the foldable design makes it easy to store.

Both the boom arm and clamp are enhanced for better durability.

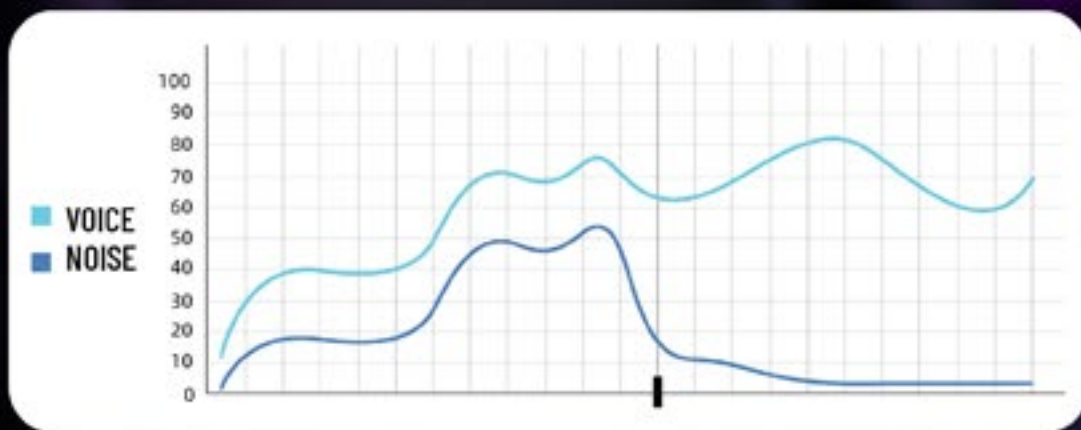


ADVANCED MICRO-WOVEN TECHNOLOGY

The pop filter screen blocks air blasts; the blast is easily contained to produce great quality recordings. Filters out disturbing noise, allowing the microphone to pick up clean vocals.

Pop filter cover can reduce wind interference, record voice more clearly, whether you record at home or in a studio.

Mic cover foam effectively protects your microphone from dust and saliva, which can help to reduce interferences.



ENHANCED NOISE REDUCTION VOCAL CORRECTION



WINDSCREEN FILTER



MINIMAL EXTERNAL VIBRATION AND NOISE

The microphone comes with a cast iron base solidly built which can stably support the mic. It can effectively minimize noise from unwanted vibrations or plosives and allows the microphone to be more stable and the mounting screw makes it easy to assemble. It also provides tilt and swivel so you can easily find your ideal position according to your needs.



AGILE NL

CARDIOID STREAMING MICROPHONE

KIT INCLUDES:



Streaming mic



Scissor arm stand



Table mounting clamp



Windscreen filter



Pop filter foam



USB-A to USB-C cable



Desk stand



Windscreen filter clip



AGILE NL

CARDIOID STREAMING MICROPHONE

SPECIFICATIONS

Model Number YSA-UCHQ-01 (BLACK) - YSA-UCHQ-02 (WHITE)

Polar Pattern Cardioid

Sensitivity $-33\pm 2\text{dB}$ (1.5V, 680K Ω ; 0dB=1V/Pa, 1KHZ)

Response Frequency 80Hz-20000Hz

Impedance $< 68\Omega$

Signal to Noise Ratio $> 68\text{ dB}$

Max SPL 110 dB

Sampling Rate 192 KHZ / 24 Bits

Connector USB/ A to C

EAN 7503033057254 (BLACK) - 7503033057452 (WHITE)





YEYIAN AGILE WHITE



YEYIAN AGILE BLACK



YEYIAN AGILE NL WHITE



YEYIAN AGILE NL BLACK

TYPE	Cardioid	Cardioid	Cardioid	Cardioid
Sensitivity (dB)	-33±3dB (15V,680KΩ,0dB=1V/Pa,1KHZ)	-33±3dB (15V,680KΩ,0dB=1V/Pa,1KHZ)	-33±3dB (15V,680KΩ,0dB=1V/Pa,1KHZ)	-33±3dB (15V,680KΩ,0dB=1V/Pa,1KHZ)
Response Frequency	100Hz-18000Hz	100Hz-18000Hz	80Hz-20000Hz	80Hz-20000Hz
Impedance (ohms)	90dB	90dB	68dB	68dB
Max SPL	125dB	125dB	110dB	110dB
Sampling Rate	24Bit/192KHZ	24Bit/192KHZ	24Bit/192KHZ	24Bit/192KHZ
Included Accesories	Windscreen, Microphone Support with Arm, Mic Filter, Audio Cable, Microphone Clip	Windscreen, Microphone Support with Arm, Mic Filter, Audio Cable, Microphone Clip	Windscreen, Microphone Support with Arm, Mic Filter, Audio Cable, Microphone Clip	Windscreen, Microphone Support with Arm, Mic Filter, Audio Cable, Microphone Clip
Dimensions	17.32" x 8.07" x 3.54" Inches	17.32" x 8.07" x 3.54" Inches	17.32" x 8.07" x 3.54" Inches	17.32" x 8.07" x 3.54" Inches
Weight	3.52 lbs	3.52 lbs	3.52 lbs	3.52 lbs